

**结构特点 Design features**

- 内装、单端面、单弹簧并圈传动结构。
- 弹簧旋向根据轴运转方向确定：
  - 1、当从A方向看轴为顺时针旋向时，弹簧旋向为右旋，
  - 2、当从A方向看轴为逆时针旋向时，弹簧旋向为左旋。
- 安装尺寸符合DIN24960、ISO3069及GB6556标准
  
- Internally mounted, single face, single spring and driven by the abreast would rings on both ends of the spring.
- The spring rotating direction is determined by the direction of the shaft rotation:
  - 1、Clockwise rotation Looking the shaft from"A" side, the spring rotating direction is right-hand.
  - 2、Anticlockwise rotation looking the shaft from"A" side, the spring rotating direction is left-hand.
- Conform to the standard of DIN24960, ISO3069 and GB6556

**适用范围 Operating limits**

- 压力 Pressure: ≤ 1.0MPa(CN1527/CN1528)  
≤ 3.0MPa(CN1523/CN1524)
- 温度 Temperature: -20~180℃
- 线速度 Speeds: ≤ 15m/sec

**用途 Applications**

用于化工、石油化工、炼油、制冷、制药、造纸、给排水、污水处理等工业的泵类、反应釜、压缩机等类似的旋转轴密封。Used in all types of rotating equipment, pumps, mixers, agitators and compressors. to suit industries such as general chemical, oil refining, petrochemical, pharmaceutical, food processing, pulp and paper, and waste water treatment.

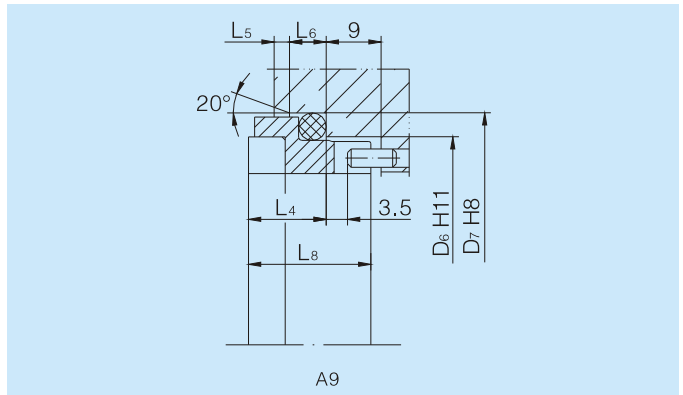
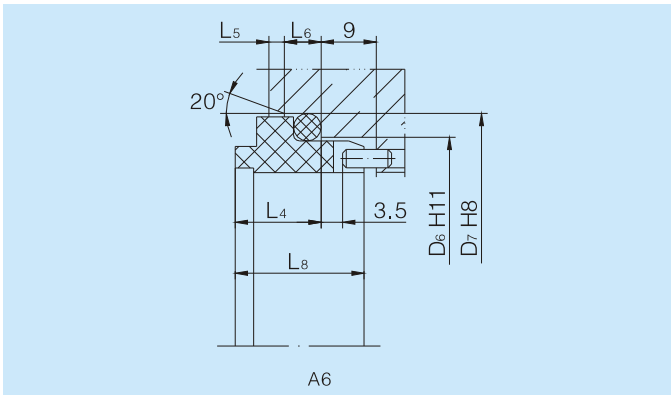
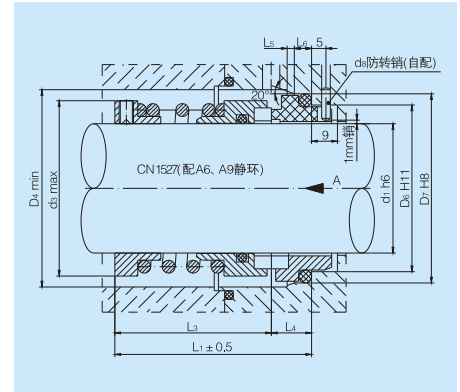
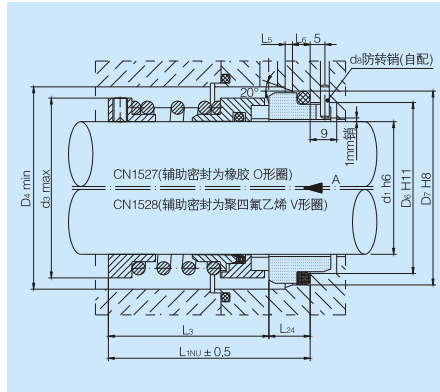
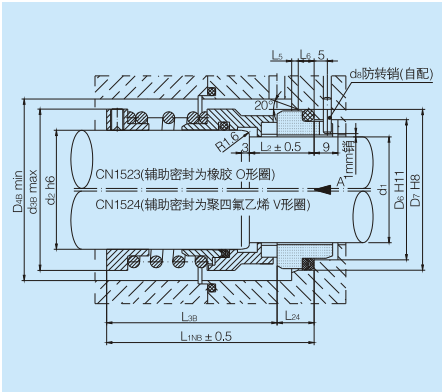
**介质 Medium**

油类、水、污水及其它弱腐蚀性溶液。  
Oil, water, sewage water and other weak corrosive fluid.

**材料 Materials(to DIN24960)**

部件名称 Parts Name	部件材料 Materials			
	1523	1524	1527	1528
旋转环 Rotary Ring	U12、U22、Q12、Q22			
静止环 Stationary Ring	B、U1、U2、Q1、Q2、U12、U22、Q12、Q22			
辅助密封 Auxiliary Seal	P、E、V	T1	P、E、V	T1
弹簧及其他结构件材料 Spring and Other Parts	F、G			





d1	d2	d3	d3B	D4	D4B	D6	D7	d8	L1	L1NU	L1NB	L2	L3	L3B	L4	L5	L6	L8	L24
18	22	32	36	34	38	27	33	3	45	45	55	20	35	45	10	2.0	5.0	17.5	10
20	24	34	38	36	40	29	35	3	45	45	60	20	35	50	10	2.0	5.0	17.5	10
22	26	36	40	38	42	31	37	3	45	45	60	20	35	50	10	2.0	5.0	17.5	10
24	28	38	42	40	44	33	39	3	50	50	60	20	40	50	10	2.0	5.0	17.5	10
25	30	39	44	41	46	34	40	3	50	50	60	20	40	50	10	2.0	5.0	17.5	10
28	33	42	47	44	49	37	43	3	50	50	65	20	40	55	10	2.0	5.0	17.5	10
30	35	44	49	46	51	39	45	3	50	50	65	20	40	55	10	2.0	5.0	17.5	10
32	38	46	54	48	58	42	48	3	55	55	65	20	45	55	10	2.0	5.0	17.5	10
33	38	47	54	49	58	42	48	3	55	55	65	20	45	55	10	2.0	5.0	17.5	10
35	40	49	56	51	60	44	50	3	55	55	65	20	45	55	10	2.0	5.0	17.5	10
38	43	54	59	58	63	49	56	4	57	55	75	23	44	64	13	2.0	6.0	20	11
40	45	56	61	60	65	51	58	4	57	55	75	23	44	64	13	2.0	6.0	20	11
43	48	59	64	63	68	54	61	4	62	60	75	23	49	64	13	2.0	6.0	20	11
45	50	61	66	65	70	56	63	4	62	60	75	23	49	64	13	2.0	6.0	20	11
48	53	64	69	68	73	59	66	4	62	60	85	23	49	74	13	2.0	6.0	20	11
50	55	66	71	70	75	62	70	4	61	60	85	25	47	72	14	2.5	6.0	21	13
53	58	69	78	73	83	65	73	4	71	70	85	25	57	72	14	2.5	6.0	21	13
55	60	71	80	75	85	67	75	4	71	70	85	25	57	72	14	2.5	6.0	21	13
58	63	78	83	83	88	70	78	4	71	70	85	25	57	72	14	2.5	6.0	21	13
60	65	80	85	85	90	72	80	4	71	70	95	25	57	82	14	2.5	6.0	21	13
63	68	83	88	88	93	75	83	4	71	70	95	25	57	82	14	2.5	6.0	21	13
65	70	85	90	90	95	77	85	4	81	80	95	25	67	82	14	2.5	6.0	21	13
68	75	88	95	93	100	81	90	4	—	80	95	28	64.7	79.7	—	2.5	7.0	—	15.3
70	75	90	99	95	104	83	92	4	80.7	80	95	28	64.7	79.7	16	2.5	7.0	22	15.3
75	80	99	104	104	109	88	97	4	80.7	80	105	28	64.7	89.7	16	2.5	7.0	22	15.3
80	85	104	109	109	114	95	105	4	92.3	90	105	28	74.3	89.3	18	3.0	7.0	24.5	15.7
85	90	109	114	114	119	100	110	4	92.3	90	105	28	74.3	89.3	18	3.0	7.0	24.5	15.7
90	95	114	119	119	124	105	115	4	92.3	90	105	28	74.3	89.3	18	3.0	7.0	24.5	15.7
95	100	119	124	124	129	110	120	4	92.3	90	105	28	74.3	89.3	18	3.0	7.0	24.5	15.7
100	105	124	129	129	134	115	125	4	92.3	90	105	28	74.3	89.3	18	3.0	7.0	24.5	15.7